

DR. B.R.A.INSTITUTE ROTARY CANCER HOSPITAL
ALL INDIA INSTITUTE OF MEDICAL SCIENCES
ANSARI NAGAR, NEW DELHI -110029.
(STORES SECTION)

Ref. No.- 04/Stores (DR. B.R.A.I.R.C.H.)/SOD/Proprietary/M&E/2014-15/FSC Dated: 23/02/2015

Subject: Purchase of High End Cardiac Monitor -2 Nos. for Dept. of Surgical Oncology (Dr. BRAIRCH, AIIMS , New Delhi) on proprietary basis –reg.

The Institute is in the process to purchase **High End Cardiac Monitor -2 Nos. for Dept. of Surgical Oncology (Dr. BRAIRCH, AIIMS , New Delhi)** from M/s. Johnson & Johnson USA on proprietary basis. The proposal submitted by M/s. Johnson & Johnson USA and PAC certifications are attached.

The above documents are being uploaded for open information to submit objections, comments, if any, from any manufacturer regarding proprietary nature of the equipment/item within issue of 10 days giving reference **01/Stores (DR. B.R.A.I.R.C.H.)/LOU/Proprietary/M&E/2014-15/FSC**. The comments should be received by office of Stores Officer (Dr. B.R.A.I.R.C.H.), Store Section, Room No. 18, G.F. (Dr. B.R.A.I.R.C.H. Building, AIIMS) on or before 13.02.2015 upto 12.30 p.m., failing which it will be presumed that any other vendor is having no comment to offer and case will be decided on merits.

Yours faithfully,

Stores Officer
Dr. B.R.A.I.R.C.H.
A.I.I.M.S.

Encl. : Related documents enclosed



US00RE37852E

(19) **United States**
(12) **Reissued Patent**
Aso et al.

(10) **Patent Number:** US RE37,852 E
(45) **Date of Reissued Patent:** Sep. 17, 2002

(54) **BLOOD PRESSURE MONITORING SYSTEM**

(75) Inventors: **Shigeru Aso; Hiroshi Sakata;**
Yoshihiro Sugo; Hidehiro Hosaka, all
of Tokyo (JP)

(73) Assignee: **Nihon Kohden Corporation,** Tokyo
(JP)

(21) Appl. No.: **09/172,024**

(22) Filed: **Oct. 14, 1998**

Related U.S. Patent Documents

Reissue of:
(64) Patent No.: **5,564,427**
Issued: **Oct. 15, 1996**
Appl. No.: **08/413,850**
Filed: **Mar. 30, 1995**

(30) **Foreign Application Priority Data**

Mar. 30, 1994 (JP) 6-061409
Mar. 16, 1995 (JP) 7-056940

(51) **Int. Cl.**⁷ **A61B 5/00**

(52) **U.S. Cl.** **600/485; 600/500; 600/493;**
600/494

(58) **Field of Search** 600/485, 493-6,
600/500

(56) **References Cited**

U.S. PATENT DOCUMENTS

4,907,596 A * 3/1990 Schmid et al. 600/500
5,237,997 A * 8/1993 Gruebel et al. 600/485
5,279,303 A * 1/1994 Kawamura et al. 600/500

5,533,511 A * 7/1996 Kaspari et al. 600/500

FOREIGN PATENT DOCUMENTS

EP 0443267 * 8/1991 600/500

* cited by examiner

Primary Examiner—Robert L. Nasser

(74) *Attorney, Agent, or Firm*—Sughrue Mion, PLLC

(57) **ABSTRACT**

A blood pressure monitoring system includes a blood pressure measurement device for measuring blood pressure using a cuff, a memory for storing an externally inputted pulse wave propagation time fluctuation threshold, a time interval detection reference point detection section for detecting a time interval detection reference point in a pulse wave on the side of aortae of a living organism, a pulse wave detection section for detecting a pulse wave on the side of peripheral blood vessels appearing with a time lag with respect to the pulse wave on the side of aortae, a pulse wave propagation time measurement section for measuring a pulse wave propagation time based on respective detected outputs from the time interval detection reference point detection section and the pulse wave detection section, an operation device for calculating a pulse wave propagation fluctuation from two measured pulse wave propagation times, a judgment device for judging whether or not the calculated pulse wave propagation time fluctuation exceeds the pulse wave propagation time fluctuation threshold read from the memory, and a control device for controlling the blood pressure measurement device based on an output of the judgment device so that the blood pressure of a subject is measured using the cuff.

18 Claims, 4 Drawing Sheets

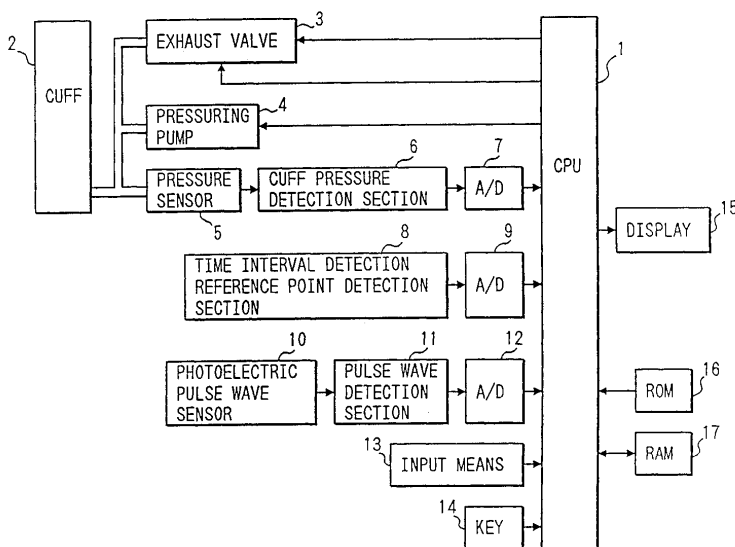


FIG. 1

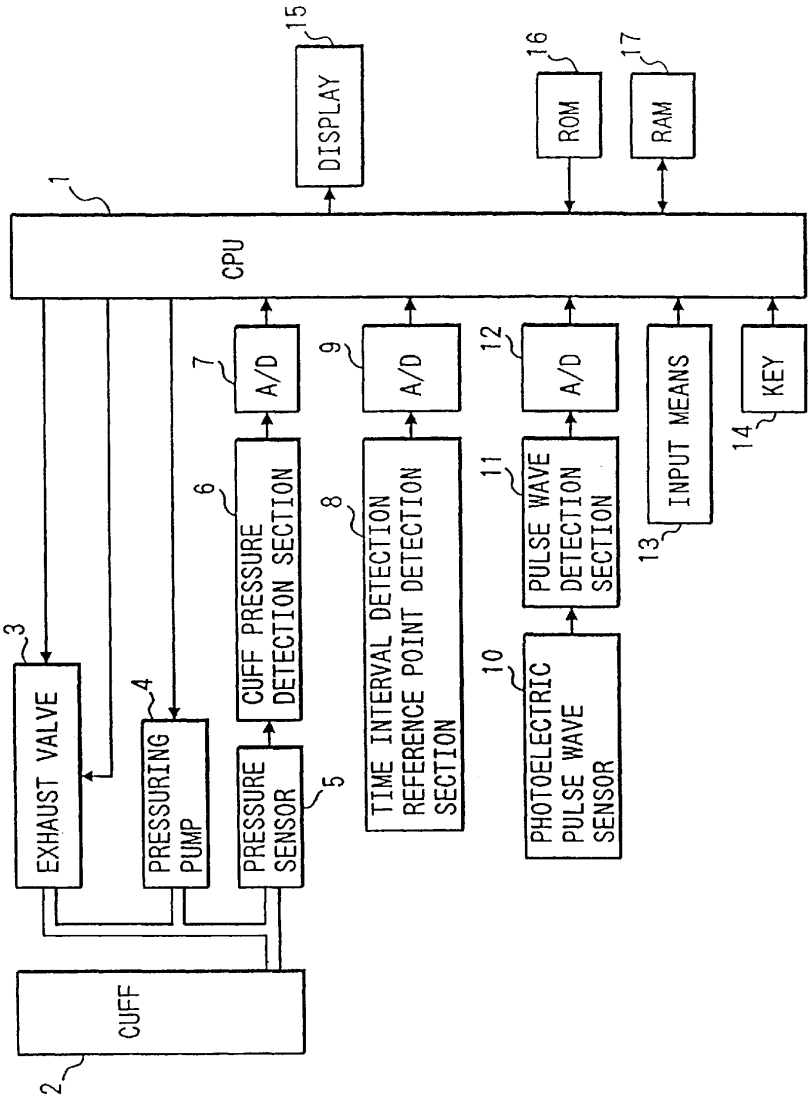


FIG. 2

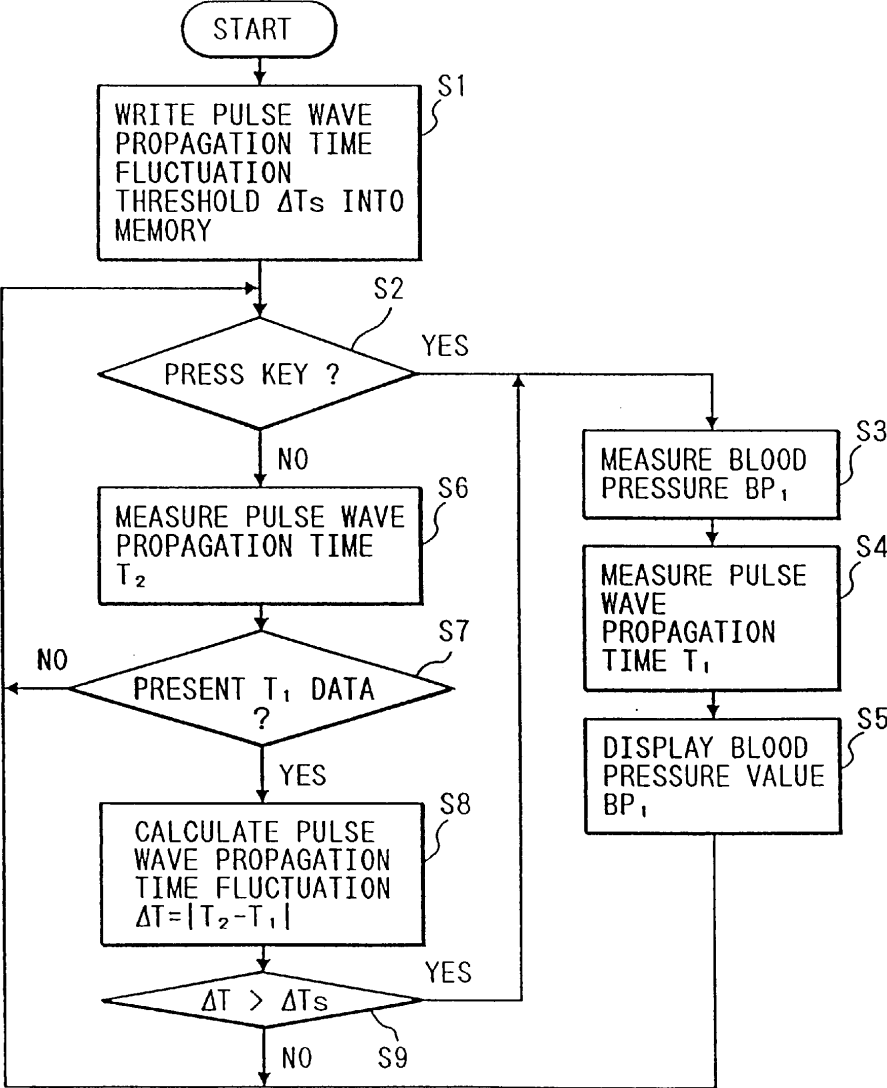


FIG. 3 AMENDED

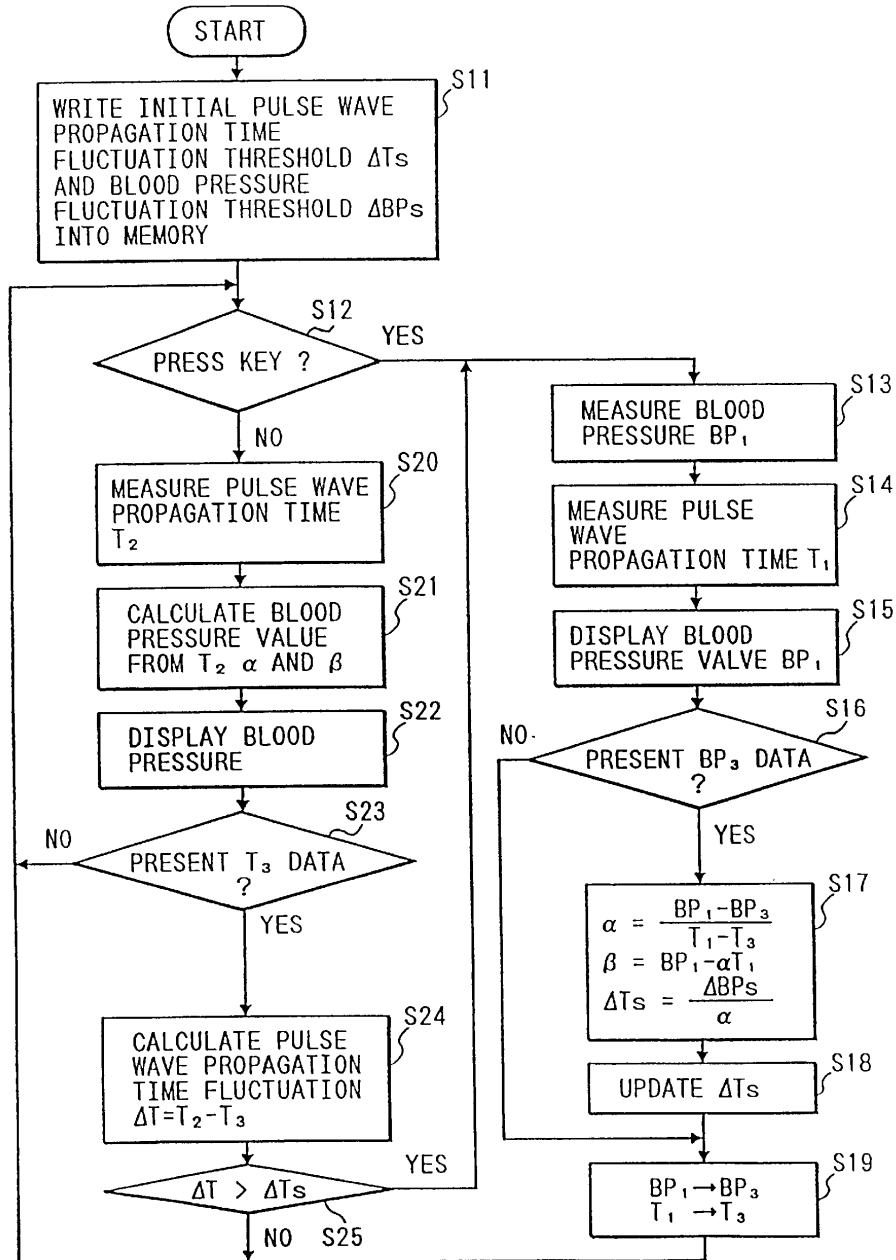


FIG. 4

